

IQ:350XR

INTELLIGENCE TO CAPTURE 3 LANES

MAV

ANPR TECHNOLOGY FOR
INTELLIGENT TRAFFIC SOLUTIONS

4G All in one high speed, 12x Zoom 1080p Intelligent Camera

Incorporating dual 1080p HD images, motorised zoom, high speed ANPR recognition and maxIRange™ pulsed IR lighting in one small but highly efficient unit, the IQ:350XR camera offers fixed-site options for users of all-in-one intelligent ANPR cameras.



Multi Lane

High resolution 1080p images providing excellent recognition



Powerful Pulsed IR

maxIRange™ for true day/night number plate recognition



Integrated ANPR Engine

To provide high accuracy reads with meta data



ECO Power / PoE+

Low power consumption, optionally powered from 802.3at PoE+



JSON Web Services

Simple integration into applications using open interface



4G Router

3G/4G Router with access to external sim slot



Zoom Cameras

12 x Optical truEZOOM™ for the perfect field of view



Online Data Management

Store and forward for offline data transfer

IQ:350XR

INTELLIGENCE TO CAPTURE 3 LANES

4G All in one high speed, 12x
Zoom 1080p Intelligent Camera

Intelligence to Capture 3 Lanes

The IQ:350XR provides recognition for up to 12m lane width for detection of plates and is simple to set up with truEZoom™ for perfect field of view at distances from 15m up to 50m. Setup is performed using the camera's API or from any browser using the IQX range's web setup with live video feed.

The high definition global shutter ANPR camera module is synchronized to upgraded infrared (IR) pulsed LEDs to offer superior license plate recognition to match the increased capture width that 1080p resolution offers.

The IQ:350XR performs its ANPR recognition within the camera using a custom embedded processor. Real time recognition is performed on raw 1080p HD images.

The IQ:350XR offers integrated 4G router and store and forward buffering to provide up to one million cached reads or immediate data transfer via an API supporting JSON, FTP, UTMCI.2 and Web Services.

The IQ:350XR is hermetically sealed to IP68 and can be powered using PoE+ or 10-15V DC to give a single cable install suitable for vehicles or fixed sites where the smaller physical size is appealing.



IQ:350XR

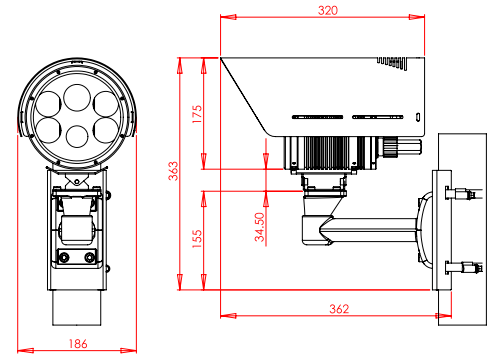
THE IQ:350XR IS AVAILABLE WITH A 7-84MM ZOOM.

Technical Data



SPECIFICATIONS

Recognition Range	Capture of up to 12m of traffic lanes from 15m to 50m based on 850nm IR on EU retro-reflective plates
Sensor	Two cameras: 1/1.8" Progressive Scan Global Shutter CMOS 3.19MP 2064 (H) x 1544 (V) pixels
Motorised Lens	12 x Optical motorized zoom (7.00mm-84mm), focus and automatic iris control, Lens equivalent 51.1° to 5.0° Horizontal Field of View
IR illumination	4 pulsed LED arrays with lenses (850nm standard. White light, 740nm optional)
Optical Filters	IR: Bandpass matched to LEDs OV: Day/Night IR Cut Filter (auto/manual)
Camera Control	Integrated web server provides full camera and illuminator setup pages and live preview from any connected browser (no plug-ins required)



ANPR ENGINE FUNCTIONALITY

ANPR Processor	Dual Core DSP with co-processor and two channel internal parallel video input
ANPR Software / Presets	ANPR license and configuration upload via web based configuration pages for simple remote management
ANPR Engine Protocol	JSON web services provide full access to overview and plate patch images and metadata as push or pull messages for easy integration into applications (O/S independent) and via web pages
ANPR Metadata	Multiple plate tracking with IDs, full availability of plate movement/size data through field of view
ANPR Storage	Onboard storage 8GB (optionally 32GB) for up to 1 million buffered reads
ANPR Features	Image cropping options for Overview image, advanced de-skew and yaw correction, character spacing validation, country of origin matching, lane determination, direction of travel, plate tracking and geometry

ANPR ENGINE FUNCTIONALITY

4G router options	FDD / TDD 4G DC-HSPA+/HSPA+/HSPA/WCDMA/UMTS 3G, IPsec, PPTP/L2TP client, GRE/IPIP, IP packet/Domain/MAC Jitter, NAT, DMZ Built-in watch dog, Multi-link detection Ultra security, VPN: PPTP, L2TP, GPE, IPsec, High Reliability: Hardware link self-recovery
-------------------	--

PHYSICAL SPECIFICATIONS

Operating Voltage	PoE+ (803.2at type 2) or 10-15VDC suitable for battery power
Network Connections	10/100 Base-T physical
Power Consumption	Nominally 22W
Dimensions	163 x 163 x 145mm (cylindrical) excluding connectors, mount and sunshield
Weight	2.0kg excluding mount and sunshield
Enclosure	IP68 hermetically sealed. Hard anodized aluminium with mount options
Temperature / Humidity	-30°C to 55°C operating with relative humidity 0%RH to 100%RH (hermetically sealed)

SERVICE

Customer Service	Friendly, helpful service for product ordering and repair returns
Technical Support	Comprehensive pre and post-sale technical support for full life of the product
Warranty	12 month warranty, extended warranties and factory repair/replacement programmes available
Long Term Supply	Complete support for the life of the product
Training	Comprehensive product training programmes for customers