

# IQ:350

HIGH SPEED, HIGH DEFINITION INTELLIGENT CAMERA

**MAV**  
ANPR TECHNOLOGY FOR  
INTELLIGENT TRAFFIC SOLUTIONS

## Intelligence to Capture 3 Lanes

Incorporating dual 1080p HD images, motorised zoom, high speed ANPR recognition and maxIRange™ pulsed IR lighting in one small but highly efficient unit, the Rapier IQ:350 camera offers fixed-site options for users of all-in-one intelligent ANPR cameras.



### Multi Lane

High resolution 1080p images providing excellent recognition



### Integrated ANPR Engine

To provide high accuracy reads with meta data



### JSON Web Services

Simple integration into applications using open interface



### Zoom Cameras

Fully controllable truEZoom™ for the perfect field of view



### Powerful Pulsed IR

maxIRange™ for true day/night number plate recognition



### ECO Power / PoE+

Low power consumption, optionally powered from 802.3at PoE+



### FoV

Provides up to 12m / 3 lane coverage from a single camera



### API Control

Full control and live feedback of ANPR, camera and IR settings

# IQ:350

HIGH SPEED, HIGH DEFINITION INTELLIGENT CAMERA

## Recognition for up to 12m lane width



## Intelligence to Capture 3 Lanes

The Rapier IQ:350 provides recognition for up to 12m lane width for detection of plates and is simple to set up with truEZOOM™ for perfect field of view at distances from 10m up to 40m. Setup is performed using the camera's API or from any browser using the IQ's web setup with live video feed.

The high definition global shutter ANPR camera module is synchronized to upgraded infrared (IR) pulsed LEDs to offer superior license plate recognition to match the increased capture width that 1080p resolution offers.

The Rapier IQ:350 performs its ANPR recognition within the camera using a custom embedded processor. Real time recognition is performed on raw 1080p HD images.

The Rapier IQ:350 offers store and forward buffering to provide up to one million cached reads or immediate data transfer via an API supporting JSON, FTP, UTMCI.2 and Web Services.

The Rapier IQ:350 is hermetically sealed to IP68 and can be powered using PoE+ or 10-15V DC to give a single cable install suitable for vehicles or fixed sites where the smaller physical size is appealing.



# IQ:350

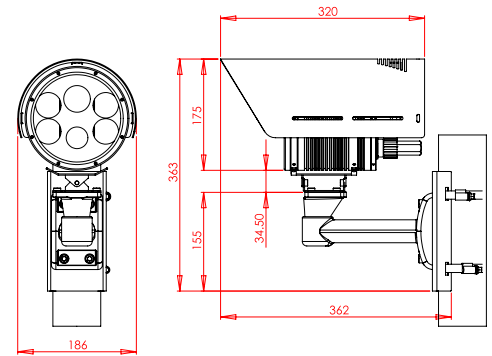
THE RAPIER IQ:350 IS AVAILABLE IN TWO MODELS FOR SHORT RANGE 4-12MM ZOOM, OR MID-RANGE 8-22MM ZOOM.



## Technical Data

### SPECIFICATIONS

Recognition Range	Capture of up to 12m of traffic lanes from 10m to 40m based on 850nm IR on EU retro-reflective plates
Sensor	ANPR: 1/3" 1920(H) x 1080(V) 16:9 global shutter, 25 fps. Overview: 1/3" 1920(H) x 1080(V) 16:9 rolling shutter (global optional), 25 fps
Motorised Lens	ANPR: motorized zoom (4-12mm or 8-22mm), focus and p-iris control Overview: motorized zoom (4-12mm or 8-22mm), focus and auto DC iris (p-iris optional)
IR illumination	4 pulsed LED arrays with lenses (850nm standard. White light, 740nm or 940nm optional)
Optical Filters	IR: Bandpass matched to LEDs OV: Day/Night IR Cut Filter (auto/manual)
Camera Control	Integrated web server provides full camera and illuminator setup pages and live preview from any connected browser (no plug-ins required)



### ANPR ENGINE FUNCTIONALITY

ANPR Processor	Dual Core DSP with co-processor and two channel internal parallel video input
ANPR Software / Presets	ANPR license and configuration upload via web based configuration pages for simple remote management
ANPR Engine Protocol	JSON web services provide full access to overview and plate patch images and metadata as push or pull messages for easy integration into applications (O/S independent) and via web pages
ANPR Metadata	Multiple plate tracking with IDs, full availability of plate movement/size data through field of view
ANPR Storage	Onboard storage 8GB (optionally 32GB) for up to 1 million buffered reads
ANPR Features	Image cropping options for Overview image, advanced de-skew and yaw correction, character spacing validation, country of origin matching, lane determination, direction of travel, plate tracking and geometry

### PHYSICAL SPECIFICATIONS

Operating Voltage	PoE+ (803.2at type 2) or 10-15VDC suitable for battery power
Network Connections	10/100 Base-T physical
Power Consumption	Nominally 14W
Dimensions	163 x 163 x 145mm (cylindrical) excluding connectors, mount and sunshield
Weight	2.5kg excluding mount and sunshield
Enclosure	IP68 hermetically sealed. Hard anodized aluminium with mount options
Temperature / Humidity	-30°C to 55°C operating with relative humidity 0%RH to 100%RH (hermetically sealed)

### SERVICE

Customer Service	Friendly, helpful service for product ordering and repair returns
Technical Support	Comprehensive pre and post-sale technical support for full life of the product
Warranty	12 month warranty, extended warranties and factory repair/replacement programmes available
Long Term Supply	Complete support for the life of the product
Training	Comprehensive product training programmes for customers