

# IQ:350X

THE IQ:350X IS AVAILABLE WITH A 7-84MM ZOOM

# MAV

ANPR TECHNOLOGY FOR  
INTELLIGENT TRAFFIC SOLUTIONS

## High Speed, 12 x Zoom High Definition Intelligent Camera

Incorporating dual 1080p HD images, motorised zoom, high speed ANPR recognition and maxIRange™ pulsed IR lighting in one small but highly efficient unit, the IQ:350X camera offers fixed-site options for users of all-in-one intelligent ANPR cameras.



### Multi Lane

High resolution 1080p images providing excellent recognition



### Powerful Pulsed IR

maxIRange™ for true day/night number plate recognition



### Integrated ANPR Engine

To provide high accuracy reads with meta data



### ECO Power / PoE+

Low power consumption, optionally powered from 802.3at PoE+



### JSON Web Services

Simple integration into applications using open interface



### FoV

Provides up to 12m / 3 lane coverage from a single camera



### Zoom Cameras

Fully controllable truEZoom™ for the perfect field of view



### API Control

Full control and live feedback of ANPR, camera and IR settings

# IQ:350X

THE IQ:350X IS AVAILABLE WITH A 7-84MM ZOOM

## High Speed, 12 x Zoom High Definition Intelligent Camera



## Intelligence to Capture 3 Lanes

The IQ:350X provides recognition for up to 12m lane width for detection of plates and is simple to set up with truEZoom™ for perfect field of view at distances from 15m up to 50m. Setup is performed using the camera's API or from any browser using the IQX's web setup with live video feed.

The high definition global shutter ANPR camera module is synchronized to upgraded infrared (IR) pulsed LEDs to offer superior license plate recognition to match the increased capture width that 1080p resolution offers.

The IQ:350X performs its ANPR recognition within the camera using a custom embedded processor. Real time recognition is performed on raw 1080p HD images.

The IQ:350X offers store and forward buffering to provide up to one million cached reads or immediate data transfer via an API supporting JSON, FTP, UTMCI.2 and Web Services.

The IQ:350X is hermetically sealed to IP68 and can be powered using PoE+ or 10-15V DC to give a single cable install suitable for vehicles or fixed sites where the smaller physical size is appealing.



# IQ:350X

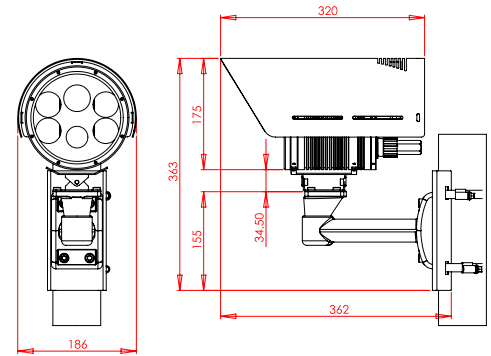
THE IQ:350X IS AVAILABLE WITH A 7-84MM ZOOM

## Technical Data



### SPECIFICATIONS

Recognition Range	Capture of up to 12m of traffic lanes from 15m to 50m based on 850nm IR on EU retro-reflective plates
Sensor	ANPR: 1/18" 2064(H) x 1544(V) 16:9 global shutter, 25 fps Overview: 1/18" 2064(H) x 1544(V) 16:9 rolling global optional 25 fps
Motorised Lens	ANPR: motorized zoom (7.00mm-84mm), focus and iris control, Lens equivalent 51.1° to 5.0° Horizontal Field of View Overview: motorized zoom (7.00mm-84mm), focus and auto iris, Lens equivalent 51.1° to 5.0° Horizontal Field of View
IR illumination	4 pulsed LED arrays with lenses (850nm standard, White light, 740nm or 940nm optional)
Optical Filters	IR: Bandpass matched to LEDs OV: Day/Night IR Cut Filter (auto/manual)
Camera Control	Integrated web server provides full camera and illuminator setup pages and live preview from any connected browser (no plug-ins required)



### ANPR ENGINE FUNCTIONALITY

ANPR Processor	Dual Core DSP with co-processor and two channel internal parallel video input
ANPR Software / Presets	ANPR license and configuration upload via web based configuration pages for simple remote management
ANPR Engine Protocol	JSON web services provide full access to overview and plate patch images and metadata as push or pull messages for easy integration into applications (O/S independent) and via web pages
ANPR Metadata	Multiple plate tracking with IDs, full availability of plate movement/size data through field of view
ANPR Storage	Onboard storage 8GB (optionally 32GB) for up to 1 million buffered reads
ANPR Features	Image cropping options for Overview image, advanced de-skew and yaw correction, character spacing validation, country of origin matching, lane determination, direction of travel, plate tracking and geometry

### PHYSICAL SPECIFICATIONS

Operating Voltage	PoE+ (803.2at type 2) or 10-15VDC suitable for battery power
Network Connections	10/100 Base-T physical
Power Consumption	Nominally 18W
Dimensions	163 x 163 x 145mm (cylindrical) excluding connectors, mount and sunshield
Weight	2.5kg excluding mount and sunshield
Enclosure	IP68 hermetically sealed. Hard anodized aluminium with mount options
Temperature / Humidity	-30°C to 55°C operating with relative humidity 0%RH to 100%RH (hermetically sealed)

### SERVICE

Customer Service	Friendly, helpful service for product ordering and repair returns
Technical Support	Comprehensive pre and post-sale technical support for full life of the product
Warranty	12 month warranty, extended warranties and factory repair/replacement programmes available
Long Term Supply	Complete support for the life of the product
Training	Comprehensive product training programmes for customers