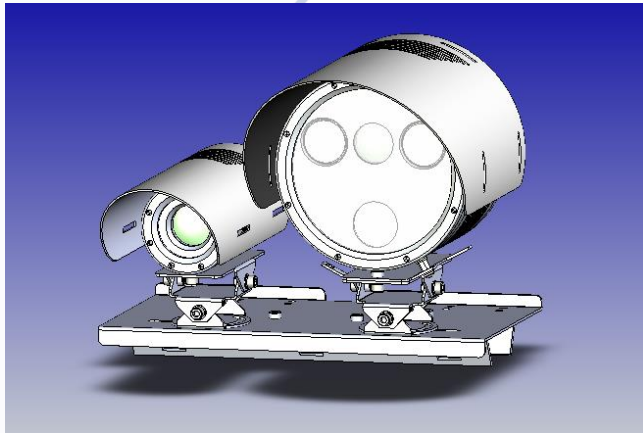




Rapier 54 with Rapier 40

COMBINED ANPR CAMERA WITH INTEGRAL HD/GigE OVERVIEW CAMERA PLUS SLAVE OVERVIEW VIDEO WITH IP STREAMING



Fixed Site ANPR
Congestion Charging
Journey Time Analysis
Bus Lane Enforcement
Road Tolling
Security

RAPIER 54 with RAPIER 40

The Rapier 54 ANPR camera incorporates a standard definition 12x zoom ANPR camera with a high definition fixed lens GigE overview camera module. The system uses the MAV Systems innovative InfraRed (IR) pulsed LED design to provide a formidable ANPR/LPR camera solution for use in fixed site applications.

The Rapier 40 is a single camera 12x day/night zoom module which acts as an independent overview video source for the Rapier 54 as a slave unit. The mounting arrangement for the Rapier 54 and Rapier 40 allows the capture of multiple scenes for better violation evidence. When slaved to the Rapier 54, the video output from the Rapier 40 is accessible from the Rapier 54 in two formats simultaneously as analogue video and a Real Time Streaming Protocol (RTSP) IP encoded stream.

The Rapier 54 GigE overview camera provides up to 50 digital images per second at 1280x1024 pixel resolution without any compression of the video data but it can be set to lower frame rates or with region of interest and other features to manage data bandwidth. The camera provides colour images and uses a fixed lens camera with IR cut filter.

The Rapier 54 contains a single channel IP encoder H.264/mpeg4 which is used to encode an external input such as the Rapier 40

The Rapier 54 has been designed for ease of use in fixed applications with standard CCTV installation options for use on gantries, lamp posts and bridges.

The camera's housing is fully sealed to IP68 and purged for long life performance. Connectivity is provided for both CAT5e cabling to networks and analogue links for local ANPR processor units.

REASONS TO BUY RAPIER 54 and 40

FLEXIBLE – electronically adjustable zoom for optimal ANPR set up

OVERVIEW – Colour HD up to 50 frames per second

ILLUMINATION - Pulsed illumination with control capabilities over network

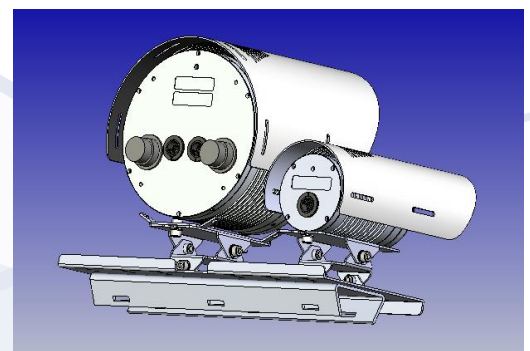
CONNECTIVITY – Analogue and Digital outputs to ease installation

RUGGED - High grade metal enclosure with simple installation options

SEALED - Hermetically sealed to IP68 for demanding physical environments

CONTROL - Full control and feedback of camera and IR settings

MEGAPIXEL HD – GigE Ethernet connectivity for uncompressed images



RAPIER 54 and 40 SPECIFICATION

Hybrid Rapier camera configuration to simplify integration with existing systems.

Specification	Rapier 54 ANPR
ANPR Recognition Range	Typically 3 to 30 metres (using 850nm illumination on EU retro reflective plates)
ANPR Illumination	2 high power pulsed LED arrays at 850nm. Illumination pulse width, offset and power variable under software control
ANPR Optics	12x optical zoom, lens equivalent f=3.94 to 46.05mm, HFOV 51.54° (Wide) to 4.49° (Tele), F1.6 to F28.
ANPR IR Filtering	ANPR images optically filtered using high transmissivity custom designed bandpass filters
ANPR Images	752(H) x 582(V) effective picture elements, 680 TVL
ANPR Image Format	PAL video 1V p-p 75Ω CVBS, colour burst suppressed for ANPR
ANPR Light Sensitivity	ANPR camera 0.0 Lux with illumination support
Rapier 54 HD Overview	
HD Overview Image	1/2" sensor with 1280(H) x 1024(V) effective picture elements providing raw 1.3 Megapixel images
HD Overview Optics	25mm fixed lens, f1.8 aperture with IR cut filter, HFOV 14.5° (other lens options available)
HD Overview Frame Rate	Up to 50 images per second (ips) under SDK control
HD Overview Settings	Global exposure time 50µs - 20ms / Auto exposure shutter (AES) and AGC under SDK control
HD Overview Network	GigE (1000Mbps) via Internal GigE switch
Rapier 40 Slave Video	
Overview Optics	12x optical zoom, lens equivalent f=3.94 to 46.05mm, HFOV 51.54° (Wide) to 4.49° (Tele), F1.6 to F28.
Overview Images	752(H) x 582(V) effective picture elements, 680 TVL, Day/Night IR Cut, Colour/B&W
Overview Image Format	PAL video 1V p-p 75Ω CVBS, day/night software selectable
Overview Light Sensitivity	Colour Overview 0.2 Lux Colour / 0.004 Lux B/W (Full Auto)
Rapier 40 Slave Video Encoder	
Compression format	H.264, MPEG4, MJPEG
Resolution and compression	D1, 2CIF, CIF, QCIF – up to 25 fps @ D1 (interlaced) or 2CIF/D1 (deinterlaced)
Multiple streams	2 concurrent video streams available subject to DSP loading factors
Network	10/100 Base-T via Internal GigE switch
Connectivity	
Rapier 54	<ul style="list-style-type: none"> 2 off Conec Waterproof GigE connector connected to internal GigE switch 1 off 12 way Binder 720 Male – 2 x video, 1 x Power and 1 x RS232 control for both analogue zoom cameras and illuminators
Rapier 40	<ul style="list-style-type: none"> 1 off 12 way Binder 720 Female for interlink to Rapier 40 Slave with 1 x video, 1 x Power and 1 x RS232 control 1 off 12 way Binder 720 Male – 1 x video, 1 x Power and 1 x RS232 control for analogue zoom camera (compatible with Rapier 54 cable)
General	
Operating Voltage	10-15VDC
Power Consumption	Nominally 45W
Physical	Rapier 54: 163 cylindrical x 114 mm long - excluding connectors brackets/sunshield Rapier 40: 76mm cylindrical x 114 mm long – excluding connectors brackets and sunshield
Enclosure	IP68 hermetically sealed hard anodised aluminium in natural aluminium with rugged mount options
Temperature	-20°C to 50°C Operating
Service	
Customer Service	Friendly, helpful service for product ordering and repair returns
Technical Support	Comprehensive pre- and post-sale technical support for full life of the product
Warranty	12 month warranty, extended warranties and factory repair/replacement
Long Term Supply	Complete support for full life of the product
Quality Management	MAV Systems operates a quality management system complying with ISO9001:2000



MAV Systems Limited,
Unit 1, Lullingstone Park Farm Offices
Eynsford, Kent, UK, DA4 0JA
+44 1344 859753
www.mav-systems.com
www.anprcameras.com